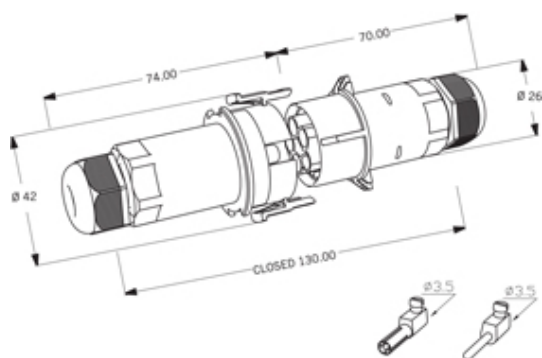


TeePlug & Sockets

Range: Weatherproof/Waterproof Connectors

Order Code: CWP-PLP-AA-C02N (THF.404.A2G)



DESCRIPTION

TeePlug 2 pole Crimp terminal 7mm to 14mm cable diameter, 1.5 mm max conductor size IP65 17.5A 400V 1 cable entry

WEATHERPROOF/WATERPROOF CONNECTORS FEATURES

- Up to IP68 versions available
- Various configurations available
- Components are keyway coded to ensure correct assembly
- All products are quick and simple to install
- Bulkhead/chassis mount options available (depending on product type)
- Temperature range of -20°C to +125°C

Features may vary by product throughout the range.

Subject to technical modification without notice.

Typographical and other errors do not justify claim for damages.

SPECIFICATION

| | |
|-----------------------------|-------|
| Type | Plug |
| Cable Entries | 1 |
| Max Current (A) | 17.5 |
| Max Voltage (V) | 400 |
| Number of Poles | 2 |
| Min Conductor Size (Sq mm) | 0.5 |
| Max Conductor Size (Sq mm) | 1.5 |
| Minimum Cable Diameter (mm) | 7 |
| Maximum Cable Diameter (mm) | 14 |
| IP Rating | 65 |
| Min Temperature Rating °C | -40 |
| Max Temperature Rating °C | 125 |
| Temperature "T" Rating | T125 |
| Body Material | PA66 |
| Fixing System | Cable |
| Terminal Type | Crimp |

INDUSTRY ACCREDITATIONS

