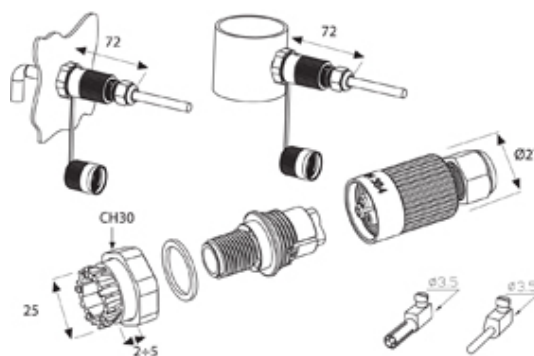




TeePlug & Sockets

Range: Weatherproof/Waterproof Connectors

Order Code: CWP-PNY-IO-C04E (THF.386.A4A)



DESCRIPTION

TeePlug Panel mount self-locking, 4 pole Crimp terminal 7mm to 12mm cable diameter, 1.5 mm max conductor size IP67 17.5A 400V 1 cable entry

WEATHERPROOF/WATERPROOF CONNECTORS FEATURES

- Up to IP68 versions available
- Various configurations available
- Components are keyway coded to ensure correct assembly
- All products are quick and simple to install
- Bulkhead/chassis mount options available (depending on product type)
- Temperature range of -20°C to +125°C

Features may vary by product throughout the range.

Subject to technical modification without notice.

Typographical and other errors do not justify claim for damages.

SPECIFICATION

Type	Plug
Cable Entries	1
Max Current (A)	17.5
Max Voltage (V)	400
Number of Poles	4
Min Conductor Size (Sq mm)	0.5
Max Conductor Size (Sq mm)	1.5
Minimum Cable Diameter (mm)	7
Maximum Cable Diameter (mm)	12
IP Rating	67
Min Temperature Rating °C	-40
Max Temperature Rating °C	125
Temperature "T" Rating	T85
Body Material	PA66
Fixing System	Self locking panel mount
Terminal Type	Crimp

INDUSTRY ACCREDITATIONS

