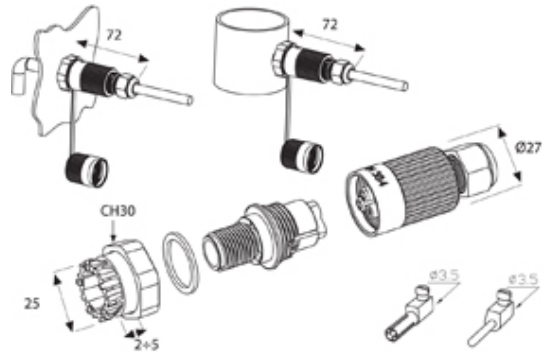


THF.386.A1A

TeePlug Panel mount self-locking, 3 pole Crimp terminal 7mm to 12mm cable diameter, 1.5 mm max conductor size IP67 17.5A 400V 1 cable entry



SPECIFICATION

Type	Plug
Cable Entries	1
Number of Poles	3
Terminal Type	Crimp
Body Material	PA66
IP Rating	67
Min Conductor Size (Sq mm)	0.5
Max Conductor Size (Sq mm)	1.5
Max Current (A)	17.5
Max Voltage (V)	400
Min Temperature Rating °C	-40
Max Temperature Rating °C	125
Minimum Cable Diameter (mm)	7
Maximum Cable Diameter (mm)	12
Fixing System	Self locking panel mount
Temperature "T" Rating	T85