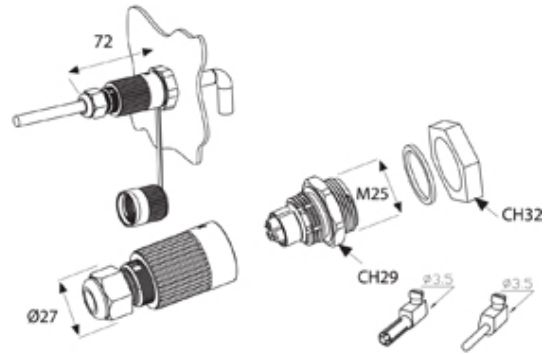


THF.385.A4A

TeePlug Panel-mount 4 pole Crimp terminal 7mm to 12mm cable diameter, 1.5 mm max conductor size IP66-68 17.5A 400V 1 cable entry



SPECIFICATION

Type	Plug
Cable Entries	1
Number of Poles	4
Terminal Type	Crimp
Body Material	PA66
IP Rating	66-68
Min Conductor Size (Sq mm)	0.5
Max Conductor Size (Sq mm)	1.5
Max Current (A)	17.5
Max Voltage (V)	400
Min Temperature Rating °C	-40
Max Temperature Rating °C	125
Minimum Cable Diameter (mm)	7
Maximum Cable Diameter (mm)	12
Fixing System	Panel mount
Temperature "T" Rating	T85