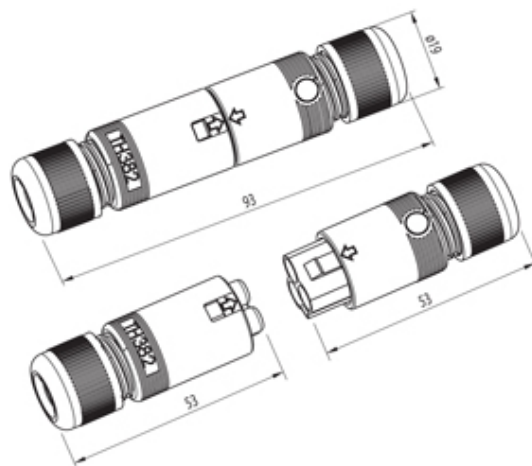


THF.382.B1A

TeePlug Powersocket 3 pole Crimp terminal 7mm to 9.5mm cable diameter, 1.5 mm max conductor size IP40 17.5A 400V 1 cable entry



SPECIFICATION

Type	Socket
Cable Entries	1
Number of Poles	3
Terminal Type	Crimp
Body Material	PA66
IP Rating	40
Min Conductor Size (Sq mm)	0.5
Max Conductor Size (Sq mm)	1.5
Max Current (A)	17.5
Max Voltage (V)	400
Min Temperature Rating °C	-40
Max Temperature Rating °C	125
Minimum Cable Diameter (mm)	7
Maximum Cable Diameter (mm)	9.5
Fixing System	Cable
Temperature "T" Rating	T85