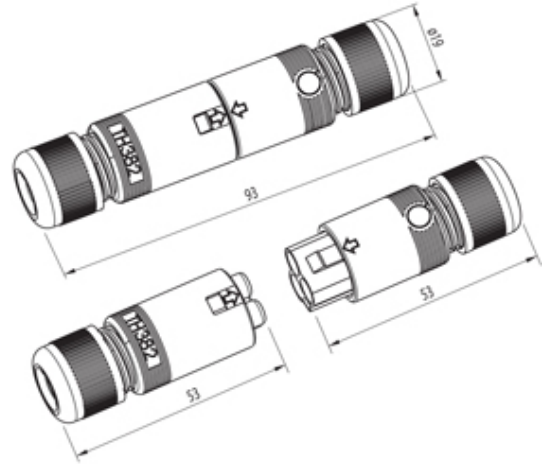


THF.382.A2A

TeePlug 2 pole Crimp terminal 10 mm cable diameter max, 1.5 mm max conductor size IP40 17.5A 400V 1 cable entry



SPECIFICATION

Type	Plug
Cable Entries	1
Number of Poles	2
Terminal Type	Crimp
Body Material	PA66
IP Rating	40
Min Conductor Size (Sq mm)	0.5
Max Conductor Size (Sq mm)	1.5
Max Current (A)	17.5
Max Voltage (V)	400
Min Temperature Rating °C	-40
Max Temperature Rating °C	125
Minimum Cable Diameter (mm)	7
Maximum Cable Diameter (mm)	9.5
Fixing System	Cable
Temperature "T" Rating	T85