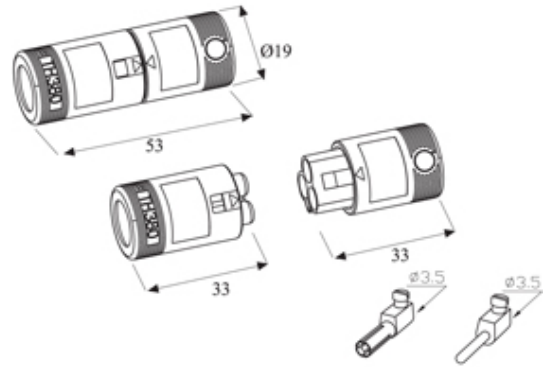


### THF.380.B2A.Z

TeePlug Powersocket 2 pole Crimp terminal 10 mm max cable diameter, 1.5 mm max conductor size IP20 17.5A 400V 1 cable entry, assembled



#### SPECIFICATION

Type	Socket
Cable Entries	1
Number of Poles	2
Terminal Type	Crimp
Body Material	PA66
IP Rating	20
Min Conductor Size (Sq mm)	0.5
Max Conductor Size (Sq mm)	1.5
Max Current (A)	17.5
Max Voltage (V)	400
Min Temperature Rating °C	-40
Max Temperature Rating °C	125
Maximum Cable Diameter (mm)	10
Fixing System	Cable
Temperature "T" Rating	T85