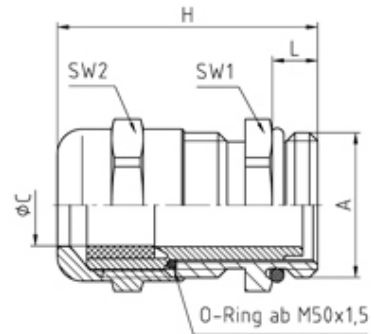


## 50.640 ES

Perfect cable gland ES M40X1,5 thread length 8, min/max cable dia 19-27



### SPECIFICATION

Product Type	ES
Sealing Ring Material	Polychloroprene-Nitrile rubber CR/NBR
Body Material	Stainless steel
Min Temperature °C	-20
Max Temperature °C	100
IP Rating	68
Thread Size	M40
Clamping Range Min (mm)	19
Clamping Range Max (mm)	27
Lamellar Insert Material	Polyamide PA6 V-2
External Connecting Thread Type	Metric
Thread Length (mm)	8
Comments	details about tests - see annex, with Viton-sealing ring and Viton-O-ring on request
Width Across Flat 1 (mm)	43
Width Across Flat 2 (mm)	43
Height (mm)	41
Connecting Thread Size	M40x1.5
Additional Material Detail	Body - Stainless steel 1.4305, O-Ring - Nitrile rubber
Standards	UL514B