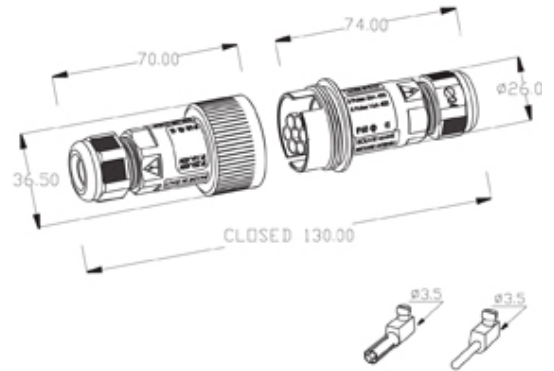


THB.408.A2B

TeePlug to be used with THB.408, 3 pole Screw terminal 7mm to 14mm cable diameter, 4 mm max conductor size IP68 17.5A 400V 1 cable entry



SPECIFICATION

Type	Plug
Cable Entries	1
Number of Poles	3
Terminal Type	Screw
Body Material	PA66
IP Rating	68
Max Conductor Size (Sq mm)	4
Max Current (A)	25
Max Voltage (V)	400
Minimum Temp Rating °C	-40
Maximum Temp Rating °C	125
Minimum Cable Diameter (mm)	7
Maximum Cable Diameter (mm)	14
Fixing System	Cable
Temperature "T" Rating	T125