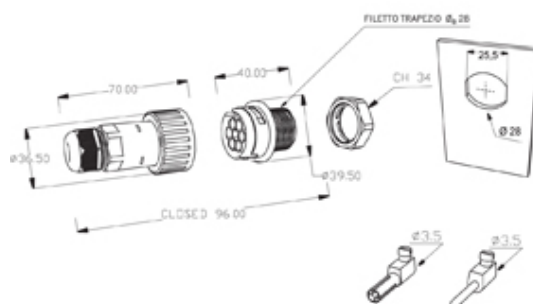


# TeePlug & Sockets

## Range: Weatherproof/Waterproof Connectors

Order Code: CWP-PBP-A-S05G (THB.406.A1A)



### DESCRIPTION

TeePlug Panel-mount 5 pole Screw terminal 7mm to 14mm cable diameter, 4 mm max conductor size IP68 17.5A 400V 1 cable entry

### WEATHERPROOF/WATERPROOF CONNECTORS FEATURES

- Up to IP68 versions available
- Various configurations available
- Components are keyway coded to ensure correct assembly
- All products are quick and simple to install
- Bulkhead/chassis mount options available (depending on product type)
- Temperature range of -20°C to +125°C

*Features may vary by product throughout the range.*

*Subject to technical modification without notice.*

*Typographical and other errors do not justify claim for damages.*

## SPECIFICATION

|                             |             |
|-----------------------------|-------------|
| Type                        | Plug        |
| Cable Entries               | 1           |
| Max Current (A)             | 17.5        |
| Max Voltage (V)             | 400         |
| Number of Poles             | 5           |
| Max Conductor Size (Sq mm)  | 4           |
| Minimum Cable Diameter (mm) | 7           |
| Maximum Cable Diameter (mm) | 14          |
| IP Rating                   | 68          |
| Min Temperature Rating °C   | -40         |
| Max Temperature Rating °C   | 125         |
| Temperature "T" Rating      | T125        |
| Body Material               | PA66        |
| Fixing System               | Panel mount |
| Terminal Type               | Screw       |

## INDUSTRY ACCREDITATIONS

