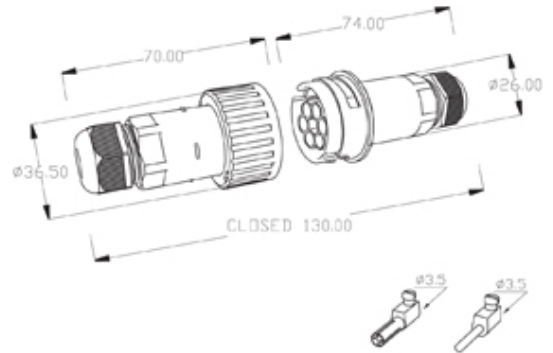


THB.405.A2A.AG.Z

TeePlug 5 pole Screw silver plated terminal 7mm to 14mm cable diameter, 4 mm max conductor size IP68 17.5A 400V 1 cable entry, assembled



SPECIFICATION

Type	Plug
Cable Entries	1
Number of Poles	5
Terminal Type	Screw silver plated
Body Material	PA66
IP Rating	68
Max Conductor Size (Sq mm)	4
Max Current (A)	17.5
Max Voltage (V)	400
Min Temperature Rating °C	-40
Max Temperature Rating °C	125
Minimum Cable Diameter (mm)	7
Maximum Cable Diameter (mm)	14
Fixing System	Cable
Temperature "T" Rating	T125