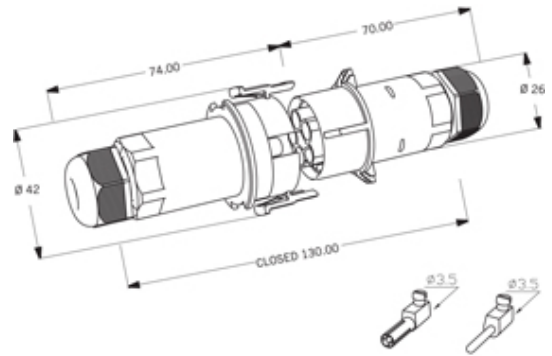


### THB.404.B2G.AG

TeePlug Powersocket 2 pole Screw silver plated terminal 7mm to 14mm cable diameter, 4 mm max conductor size IP65 17.5A 400V 1 cable entry



#### SPECIFICATION

Type	Socket
Cable Entries	1
Number of Poles	2
Terminal Type	Screw silver plated
Body Material	PA66
IP Rating	65
Max Conductor Size (Sq mm)	4
Max Current (A)	25
Max Voltage (V)	400
Min Temperature Rating °C	-40
Max Temperature Rating °C	125
Minimum Cable Diameter (mm)	7
Maximum Cable Diameter (mm)	14
Fixing System	Cable
Temperature "T" Rating	T125