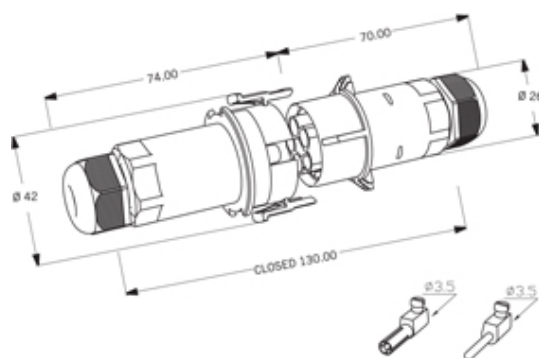




# TeePlug & Sockets

## Range: Weatherproof/Waterproof Connectors

Order Code: THB.404.A2E.AG



### DESCRIPTION

TeePlug 6 pole Screw silver plated terminal 7mm to 14mm cable diameter, 4 mm max conductor size IP65 17.5A 400V 1 cable entry

### WEATHERPROOF/WATERPROOF CONNECTORS FEATURES

- Up to IP68 versions available
- Various configurations available
- Components are keyway coded to ensure correct assembly
- All products are quick and simple to install
- Bulkhead/chassis mount options available (depending on product type)
- Temperature range of -20°C to +125°C

*Features may vary by product throughout the range.*

*Subject to technical modification without notice.*

*Typographical and other errors do not justify claim for damages.*

## SPECIFICATION

|                             |                     |
|-----------------------------|---------------------|
| Type                        | Plug                |
| Cable Entries               | 1                   |
| Max Current (A)             | 17.5                |
| Max Voltage (V)             | 400                 |
| Number of Poles             | 6                   |
| Max Conductor Size (Sq mm)  | 4                   |
| Minimum Cable Diameter (mm) | 7                   |
| Maximum Cable Diameter (mm) | 14                  |
| IP Rating                   | 65                  |
| Min Temperature Rating °C   | -40                 |
| Max Temperature Rating °C   | 125                 |
| Temperature "T" Rating      | T125                |
| Body Material               | PA66                |
| Fixing System               | Cable               |
| Terminal Type               | Screw silver plated |

## INDUSTRY ACCREDITATIONS

