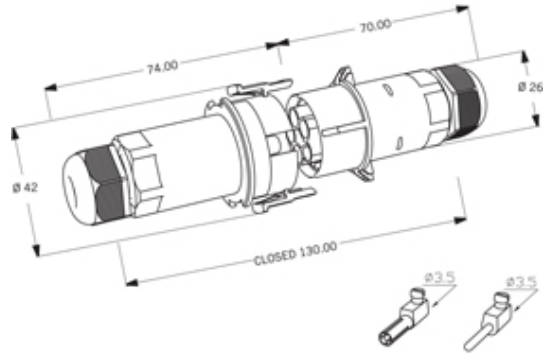


THB.404.A2B.Z

TeePlug 3 pole Screw terminal 7mm to 14mm cable diameter, 4 mm max conductor size IP65 17.5A 400V 1 cable entry, assembled



SPECIFICATION

Type	Plug
Cable Entries	1
Number of Poles	3
Terminal Type	Screw
Body Material	PA66
IP Rating	65
Max Conductor Size (Sq mm)	4
Max Current (A)	25
Max Voltage (V)	400
Min Temperature Rating °C	-40
Max Temperature Rating °C	125
Minimum Cable Diameter (mm)	7
Maximum Cable Diameter (mm)	14
Fixing System	Cable
Temperature "T" Rating	T125