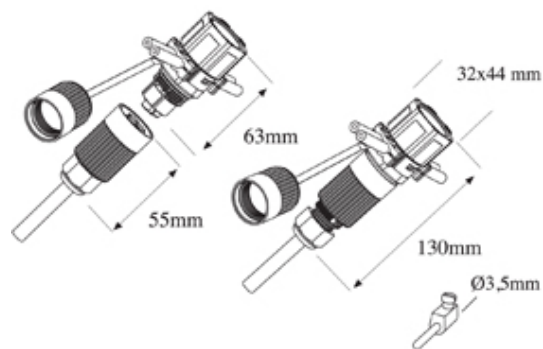


# TeePlug & Sockets

## Range: Weatherproof/Waterproof Connectors

Order Code: CWP-PNB-SAB-S06I (THB.388.B6A)



### DESCRIPTION

TeePlug Powersocket 6 pole Screw terminal, 4 mm max conductor size  
IP20 25A 400V 1 cable entry

### WEATHERPROOF/WATERPROOF CONNECTORS FEATURES

- Up to IP68 versions available
- Various configurations available
- Components are keyway coded to ensure correct assembly
- All products are quick and simple to install
- Bulkhead/chassis mount options available (depending on product type)
- Temperature range of -20°C to +125°C

*Features may vary by product throughout the range.*

*Subject to technical modification without notice.*

*Typographical and other errors do not justify claim for damages.*

## SPECIFICATION

|                            |        |
|----------------------------|--------|
| Type                       | Socket |
| Cable Entries              | 1      |
| Max Current (A)            | 17.5   |
| Max Voltage (V)            | 400    |
| Number of Poles            | 6      |
| Max Conductor Size (Sq mm) | 4      |
| IP Rating                  | 20     |
| Min Temperature Rating °C  | -40    |
| Max Temperature Rating °C  | 125    |
| Temperature "T" Rating     | T85    |
| Body Material              | PA66   |
| Fixing System              | Cable  |
| Terminal Type              | Screw  |

## INDUSTRY ACCREDITATIONS

