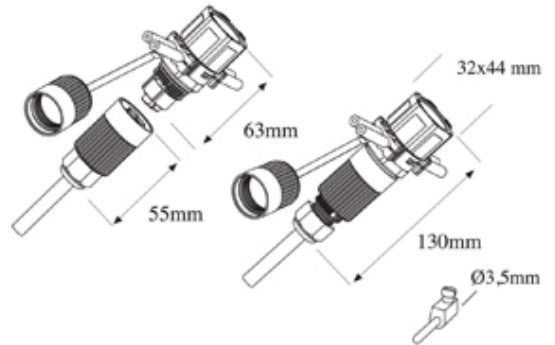


### THB.388.B2A

TeePlug Powersocket 2 pole Screw terminal, 4 mm max conductor size IP20 25A 400V 1 cable entry



#### SPECIFICATION

Type	Socket
Cable Entries	1
Number of Poles	2
Terminal Type	Screw
Body Material	PA66
IP Rating	20
Max Conductor Size (Sq mm)	4
Max Current (A)	25
Max Voltage (V)	400
Minimum Temp Rating °C	-40
Maximum Temp Rating °C	125
Fixing System	Cable
Temperature "T" Rating	T125