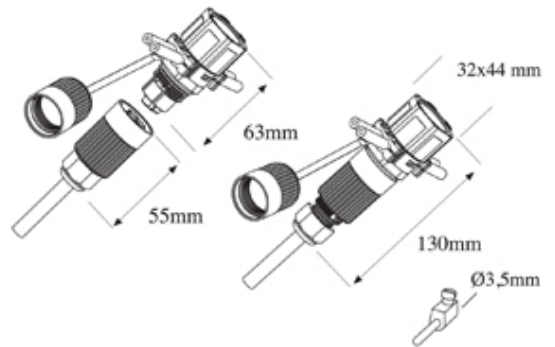


THB.388.A6A.AG.Z

TeePlug 6 pole Screw silver plated terminal, 4 mm max conductor size IP20 17.5A 400V 1 cable entry, assembled



SPECIFICATION

Type	Plug
Cable Entries	1
Number of Poles	6
Terminal Type	Screw silver plated
Body Material	PA66
IP Rating	20
Max Conductor Size (Sq mm)	4
Max Current (A)	17.5
Max Voltage (V)	400
Minimum Temp Rating °C	-40
Maximum Temp Rating °C	125
Fixing System	Cable
Temperature "T" Rating	T85