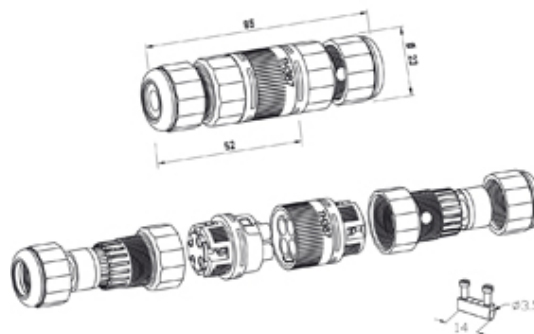


THB.387.C4A

TeePlug Panel mount 4 pole Screw terminal with male contacts 7mm to 12mm cable diameter, 4 mm max conductor size IP68 17.5A 450V 1 cable entry



SPECIFICATION

Type	Plug
Cable Entries	1
Number of Poles	4
Terminal Type	Screw
Body Material	PA66
IP Rating	68
Max Conductor Size (Sq mm)	4
Max Current (A)	17.5
Max Voltage (V)	450
Minimum Temp Rating °C	-40
Maximum Temp Rating °C	125
Minimum Cable Diameter (mm)	7
Maximum Cable Diameter (mm)	12
Fixing System	Cable
Temperature "T" Rating	T125

DISTRIBUTORS

