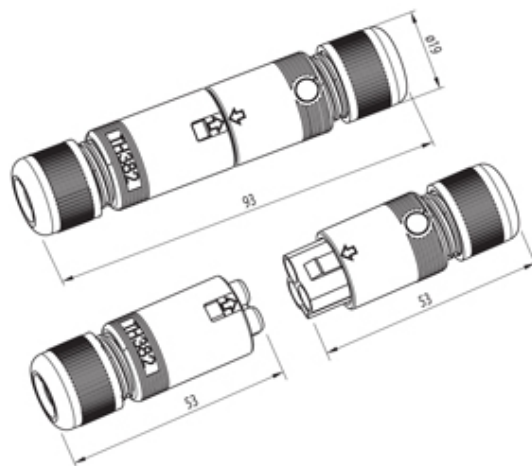


### THB.382.A1A.AG.Z

TeePlug 3 pole Screw silver plated terminal 7mm to 9.5mm cable diameter, 4 mm max conductor size IP40 17A 400V 1 cable entry, assembled



#### SPECIFICATION

Type	Plug
Cable Entries	1
Number of Poles	3
Terminal Type	Screw silver plated
Body Material	PA66
IP Rating	40
Max Conductor Size (Sq mm)	4
Max Current (A)	17
Max Voltage (V)	400
Min Temperature Rating °C	-40
Max Temperature Rating °C	125
Minimum Cable Diameter (mm)	7
Maximum Cable Diameter (mm)	9.5
Fixing System	Cable
Temperature "T" Rating	T85