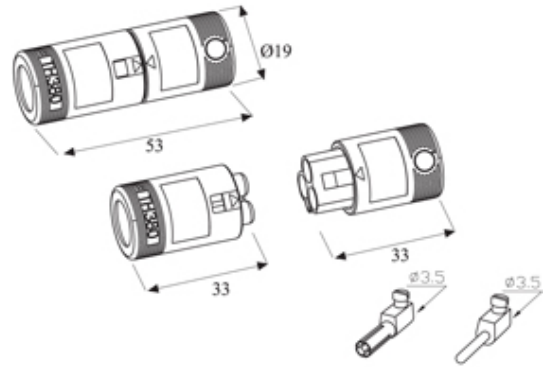


### THB.380.A1A.AG.Z

TeePlug 3 pole Screw silver plated terminal 10 mm cable diameter, 4 mm max conductor size IP20 17.5A400V 1 cable entry, assembled



#### SPECIFICATION

|                             |                     |
|-----------------------------|---------------------|
| Type                        | Plug                |
| Cable Entries               | 1                   |
| Number of Poles             | 3                   |
| Terminal Type               | Screw silver plated |
| Body Material               | PA66                |
| IP Rating                   | 20                  |
| Max Conductor Size (Sq mm)  | 4                   |
| Max Current (A)             | 17.5                |
| Max Voltage (V)             | 400                 |
| Min Temperature Rating °C   | -40                 |
| Max Temperature Rating °C   | 125                 |
| Maximum Cable Diameter (mm) | 10                  |
| Fixing System               | Cable               |
| Temperature "T" Rating      | T85                 |