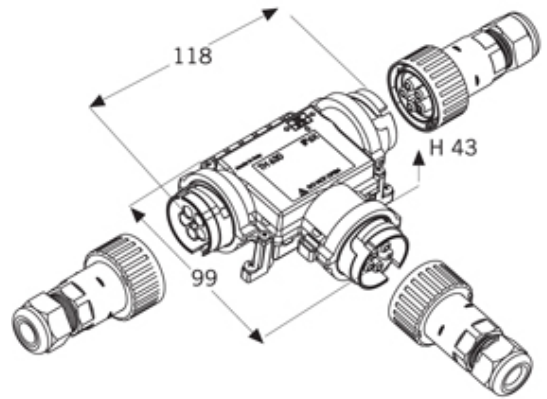


THF.630.B6A

TeeBox 7mm to 14mm cable max IP65 rated Screw fixing 3 cable entries, 6 poles for use with cylindric pin



SPECIFICATION

Cable Entries	3
Number of Poles	6
Terminal Type	Crimp
Body Material	PA66/TPE/SEBS
IP Rating	65
Max Current (A)	10
Max Voltage (V)	400
Min Temperature Rating °C	-40
Max Temperature Rating °C	125
Minimum Cable Diameter (mm)	7
Maximum Cable Diameter (mm)	14
Fixing System	Screw
Temperature "T" Rating	T85