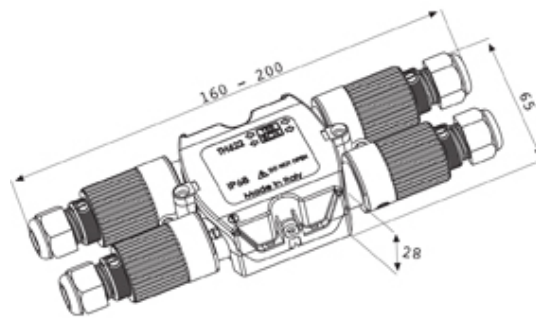




TeeBox

Range: Weatherproof/Waterproof Connectors

Order Code: THF.622.A3A



DESCRIPTION

TeeBox 12mm cable max IP20 rated Screw fixing 4 cable entries, 3 poles for use with cylindric pin

WEATHERPROOF/WATERPROOF CONNECTORS FEATURES

- Comprehensive range of connection options
- Protection rating up to IP68 depending on product
- Unique 3 pole T connector TH029 available for use in TH209 & TH211 range, no cable forming required
- TH211 available as full KIT version complete with TH029 fitted
- Power distribution products available in 3 port (TH630) and 4 port (TH62) versions
- Temperature range of -20°C to +125°C

Features may vary by product throughout the range.

Subject to technical modification without notice.

Typographical and other errors do not justify claim for damages.

SPECIFICATION

| | |
|-----------------------------|---------------|
| Cable Entries | 4 |
| Max Current (A) | 10 |
| Max Voltage (V) | 400 |
| Number of Poles | 3 |
| Maximum Cable Diameter (mm) | 12 |
| IP Rating | 20 |
| Min Temperature Rating °C | -40 |
| Max Temperature Rating °C | 125 |
| Temperature "T" Rating | T85 |
| Body Material | PA66/TPE/SEBS |
| Fixing System | Screw |
| Terminal Type | Crimp |

INDUSTRY ACCREDITATIONS

