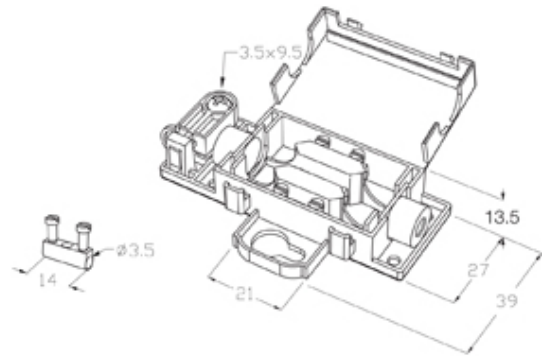


### THB.110.B3A

TeeBox 2.5mm conductor max IP44 rated Snap in fixing 2 cable entries, 3 poles with single cable clamp



#### SPECIFICATION

Cable Entries	2
Number of Poles	3
Terminal Type	Standard
Body Material	PA66
IP Rating	44
Max Conductor Size (Sq mm)	2.5
Max Current (A)	24
Max Voltage (V)	450
Min Temperature Rating °C	-40
Max Temperature Rating °C	125
Maximum Cable Diameter (mm)	9
Fixing System	Snap in
Temperature "T" Rating	T85