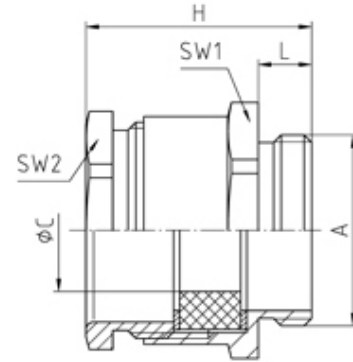


156329M40

Basic cable gland long thread M40/PG29 thread length 15Min/max cable dia 28-30



SPECIFICATION

Product Type	Standard
Sealing Ring Material	SBR/NBR
Body Material	Nickel Plated Brass
Min Temperature °C	-30
Max Temperature °C	100
IP Rating	55
Thread Size	M40
Clamping Range Min (mm)	28
Clamping Range Max (mm)	30
External Connecting Thread Type	Metric
Thread Length (mm)	15
Width Across Flat 1 (mm)	43
Width Across Flat 2 (mm)	37
Height (mm)	39.5
Connecting Thread Size	M40x1.5
Additional Material Detail	Body - Brass CuZn39Pb3 nickel-plated, Washer - Steel, zinc-plated