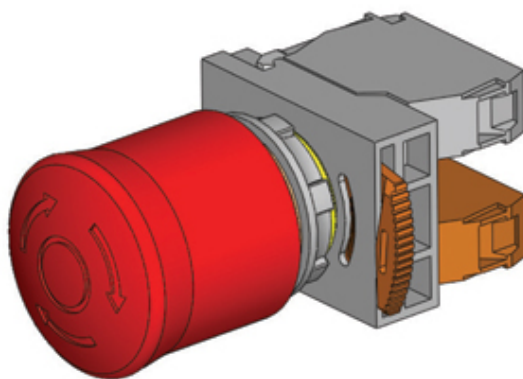


Switches

Range: Switches and Lamps

Order Code: DPB22-S11R



DESCRIPTION

Emergency stop twist push pull release 1a 1b red cap

SWITCHES AND LAMPS FEATURES

- Non Illuminated push button switches available with 12 different heads
- All switches complete with 1 NO and 1 NC contact blocks
- Mechanical life - 1 million operations
- Contact material - Silver Bifurcated and serrated
- Contact rating - AC12 Resistive / AC15 Electromagnetic - 240V (3A) / 415V (1.5A)
- Choice Of Cap colours
- Insulation resistance - >100M Ω @ 500VDC
- Different voltage ratings are available
- Operating Temperature -10 to +65°C

Features may vary by product throughout the range.

Subject to technical modification without notice.

Typographical and other errors do not justify claim for damages.

SPECIFICATION

Button Head Material	PA66 V2
Body Material	PA66 + 15% GF-VO
Locknut Material	PA66 V2 +15%GF
Button Head Lamp Colour	Red
Number of Contact Blocks	2
Switch Action	Latching
Shaft Style	Standard
Max Wire Size Single Strand (Sq mm)	2.5
Max Wire Size Multi Strand (Sq mm)	1.5
Min Temperature Rating °C	-10
Max Temperature Rating °C	65
Panel Hole Size	22.5mm
IP Rating	56
Product Sub Type	Push pull stop mushroom head
Product Type	Push button non-illuminated
Terminal Type	Screw clamp