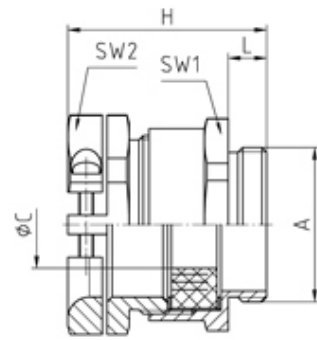




Nickel Plated Brass Metric Cable Glands

Range: Cable Glands/Grommets

Order Code: 19.548M63



DESCRIPTION

Cable gland with clamping jaw, PG48 thread length 10 min/max cable dia 35-44.5

Subject to technical modification without notice.

Typographical and other errors do not justify claim for damages.

SPECIFICATION

Product Type	Standard
Sealing Ring Material	SBR/NBR, multiple perforation
Body Material	Nickel Plated Brass
Min Temperature Rating °C	-30
Max Temperature Rating °C	100
IP Rating	55
Thread Size	PG48
Clamping Range Min (mm)	35
Clamping Range Max (mm)	44.5
External Connecting Thread Type	Metric
Thread Length (mm)	10
Bolts	Stainless steel
Comments	connecting thread long available on request
Width Across Flat 1 (mm)	65
Width Across Flat 2 (mm)	64
Height (mm)	55
Connecting Thread Size	M63x1.5
Additional Material Detail	Body - Brass CuZn39Pb3 nickel-plated, Washer - Steel, zinc-plated