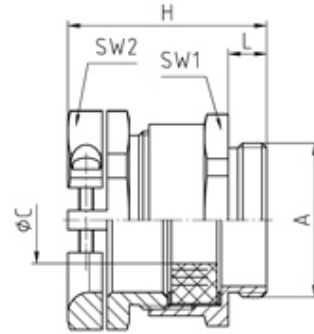


19.542M50

Cable gland with clamping jaw, PG42/M50 thread length 9 min/max cable dia 30-38.5



SPECIFICATION

Product Type	Standard
Sealing Ring Material	SBR/NBR, multiple perforation
Body Material	Nickel Plated Brass
Min Temperature °C	-30
Max Temperature °C	100
IP Rating	55
Thread Size	M50
Clamping Range Min (mm)	30
Clamping Range Max (mm)	38.5
External Connecting Thread Type	Metric
Thread Length (mm)	9
Bolts	Stainless steel
Comments	connecting thread long available on request
Width Across Flat 1 (mm)	57
Width Across Flat 2 (mm)	59
Height (mm)	53
Connecting Thread Size	M50x1.5
Additional Material Detail	Body - Brass CuZn39Pb3 nickel-plated, Washer - Steel, zinc-plated