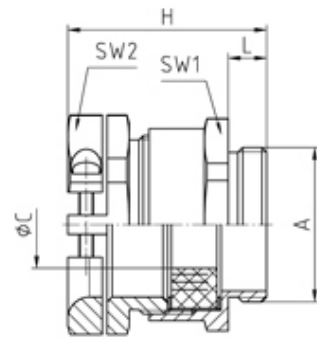




Nickel Plated Brass Metric Cable Glands

Range: Cable Glands/Grommets

Part Number: 19.536M50



DESCRIPTION

Cable gland with clamping jaw, PG36/M50 thread length 9 min/max cable dia 26.5-32.5

Subject to technical modification without notice.

Typographical and other errors do not justify claim for damages.

SPECIFICATION

Product Type	Standard
Sealing Ring Material	SBR/NBR, multiple perforation
Body Material	Nickel Plated Brass
Min Temperature Rating °C	-30
Max Temperature Rating °C	100
IP Rating	55
Thread Size	M50
Clamping Range Min (mm)	26.5
Clamping Range Max (mm)	32.5
External Connecting Thread Type	Metric
Thread Length (mm)	9
Bolts	Stainless steel
Comments	connecting thread long available on request
Width Across Flat 1 (mm)	55
Width Across Flat 2 (mm)	52
Height (mm)	50
Connecting Thread Size	M50x1.5
Additional Material Detail	Body - Brass CuZn39Pb3 nickel-plated, Washer - Steel, zinc-plated