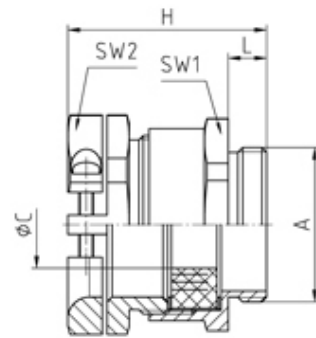




Nickel Plated Brass Metric Cable Glands

Range: Cable Glands/Grommets

Order Code: 19.529M40



DESCRIPTION

Cable gland with clamping jaw, PG29/M40 thread length 8 min/max cable dia 19-26.5

Subject to technical modification without notice.

Typographical and other errors do not justify claim for damages.

SPECIFICATION

Product Type	Standard
Sealing Ring Material	SBR/NBR, multiple perforation
Body Material	Nickel Plated Brass
Min Temperature Rating °C	-30
Max Temperature Rating °C	100
IP Rating	55
Thread Size	M40
Clamping Range Min (mm)	19
Clamping Range Max (mm)	26.5
External Connecting Thread Type	Metric
Thread Length (mm)	8
Bolts	Stainless steel
Comments	connecting thread long available on request
Width Across Flat 1 (mm)	43
Width Across Flat 2 (mm)	42
Height (mm)	42.5
Connecting Thread Size	M40x1.5
Additional Material Detail	Body - Brass CuZn39Pb3 nickel-plated, Washer - Steel, zinc-plated