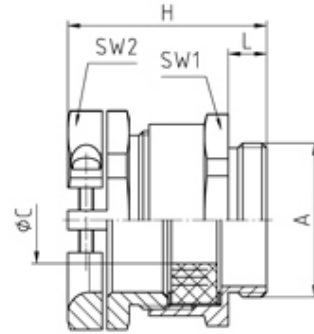


### 19.529M32

Cable gland with clamping jaw, PG29/M32 thread length 8 min/max cable dia 19-26.5



#### SPECIFICATION

<b>Product Type</b>	Standard
<b>Sealing Ring Material</b>	SBR/NBR, multiple perforation
<b>Body Material</b>	Nickel Plated Brass
<b>Min Temperature °C</b>	-30
<b>Max Temperature °C</b>	100
<b>IP Rating</b>	55
<b>Thread Size</b>	M32
<b>Clamping Range Min (mm)</b>	19
<b>Clamping Range Max (mm)</b>	26.5
<b>External Connecting Thread Type</b>	Metric
<b>Thread Length (mm)</b>	8
<b>Bolts</b>	Stainless steel
<b>Comments</b>	connecting thread long available on request
<b>Width Across Flat 1 (mm)</b>	40
<b>Width Across Flat 2 (mm)</b>	42
<b>Height (mm)</b>	42.5
<b>Connecting Thread Size</b>	M32x1.5
<b>Additional Material Detail</b>	Body - Brass CuZn39Pb3 nickel-plated, Washer - Steel, zinc-plated