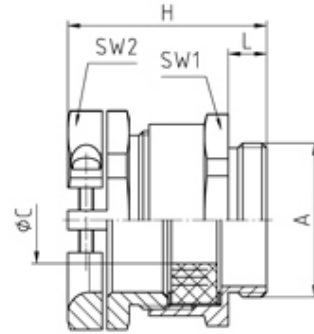


19.521M25

Cable gland with clamping jaw, PG 21/M25 thread length 7 min/max cable dia 12-18.5



SPECIFICATION

Product Type	Standard
Sealing Ring Material	SBR/NBR, multiple perforation
Body Material	Nickel Plated Brass
Min Temperature °C	-30
Max Temperature °C	100
IP Rating	55
Thread Size	M25
Clamping Range Min (mm)	12
Clamping Range Max (mm)	18.5
External Connecting Thread Type	Metric
Thread Length (mm)	7
Bolts	Stainless steel
Comments	connecting thread long available on request
Width Across Flat 1 (mm)	30
Width Across Flat 2 (mm)	33
Height (mm)	39.5
Connecting Thread Size	M25x1.5
Additional Material Detail	Body - Brass CuZn39Pb3 nickel-plated, Washer - Steel, zinc-plated