

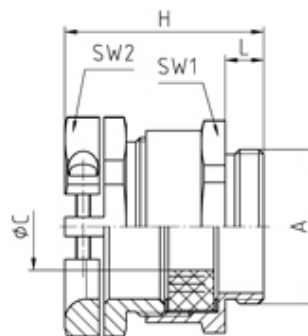


# Nickel Plated Brass Metric Cable Glands

Range: Cable Glands/Grommets

Order Code: 19.516M25

---



---

## DESCRIPTION

Cable gland with clamping jaw, PG16/M25 thread length 7 min/max cable dia 11.5-14.5

*Subject to technical modification without notice.*

*Typographical and other errors do not justify claim for damages.*

## SPECIFICATION

<b>Product Type</b>	Standard
<b>Sealing Ring Material</b>	SBR/NBR, multiple perforation
<b>Body Material</b>	Nickel Plated Brass
<b>Min Temperature Rating °C</b>	-30
<b>Max Temperature Rating °C</b>	100
<b>IP Rating</b>	55
<b>Thread Size</b>	M25
<b>Clamping Range Min (mm)</b>	11.5
<b>Clamping Range Max (mm)</b>	14.5
<b>External Connecting Thread Type</b>	Metric
<b>Thread Length (mm)</b>	7
<b>Bolts</b>	Stainless steel
<b>Comments</b>	connecting thread long available on request
<b>Width Across Flat 1 (mm)</b>	27
<b>Width Across Flat 2 (mm)</b>	26
<b>Height (mm)</b>	35.5
<b>Connecting Thread Size</b>	M25x1.5
<b>Additional Material Detail</b>	Body - Brass CuZn39Pb3 nickel-plated, Washer - Steel, zinc-plated