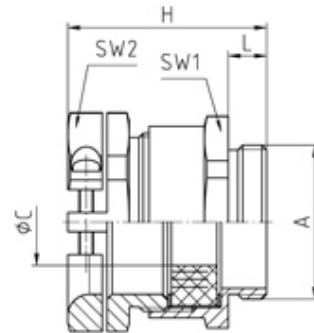


19.513M20

Cable gland with clamping jaw, PG13,5/M20 thread length 6.5 min/max cable dia 8.5-11.5



SPECIFICATION

| | |
|--|---|
| Product Type | Standard |
| Sealing Ring Material | SBR/NBR, multiple perforation |
| Body Material | Nickel Plated Brass |
| Min Temperature °C | -30 |
| Max Temperature °C | 100 |
| IP Rating | 55 |
| Thread Size | M20 |
| Clamping Range Min (mm) | 8.5 |
| Clamping Range Max (mm) | 11.5 |
| External Connecting Thread Type | Metric |
| Thread Length (mm) | 6.5 |
| Bolts | Stainless steel |
| Comments | connecting thread long available on request |
| Width Across Flat 1 (mm) | 22 |
| Width Across Flat 2 (mm) | 24 |
| Height (mm) | 33 |
| Connecting Thread Size | M20x1.5 |
| Additional Material Detail | Body - Brass CuZn39Pb3 nickel-plated, Washer - Steel, zinc-plated |