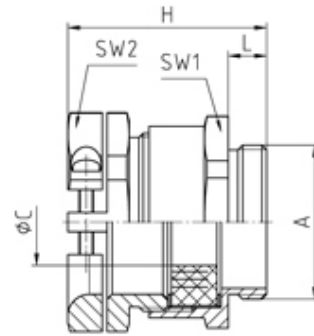


19.511M20

Cable gland with clamping jaw, PG11/M20 thread length 6.5 min/max cable dia 7.5-11.5



SPECIFICATION

Product Type	Standard
Sealing Ring Material	SBR/NBR, multiple perforation
Body Material	Nickel Plated Brass
Min Temperature °C	-30
Max Temperature °C	100
IP Rating	55
Thread Size	M20
Clamping Range Min (mm)	7.5
Clamping Range Max (mm)	11.5
External Connecting Thread Type	Metric
Thread Length (mm)	6.5
Bolts	Stainless steel
Comments	connecting thread long available on request
Width Across Flat 1 (mm)	22
Width Across Flat 2 (mm)	22
Height (mm)	33
Connecting Thread Size	M20x1.5
Additional Material Detail	Body - Brass CuZn39Pb3 nickel-plated, Washer - Steel, zinc-plated