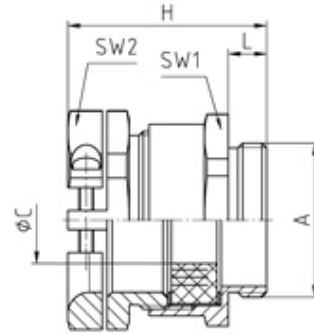


19.509M12

Cable gland with clamping jaw, PG9/M12 thread length 6 min/max cable dia 6.5-8



SPECIFICATION

Product Type	Standard
Sealing Ring Material	SBR/NBR, multiple perforation
Body Material	Nickel Plated Brass
Min Temperature °C	-30
Max Temperature °C	100
IP Rating	55
Thread Size	M12
Clamping Range Min (mm)	6.5
Clamping Range Max (mm)	8
External Connecting Thread Type	Metric
Thread Length (mm)	6
Bolts	Stainless steel
Comments	connecting thread long available on request
Width Across Flat 1 (mm)	17
Width Across Flat 2 (mm)	19
Height (mm)	30
Connecting Thread Size	M12x1.5
Additional Material Detail	Body - Brass CuZn39Pb3 nickel-plated, Washer - Steel, zinc-plated