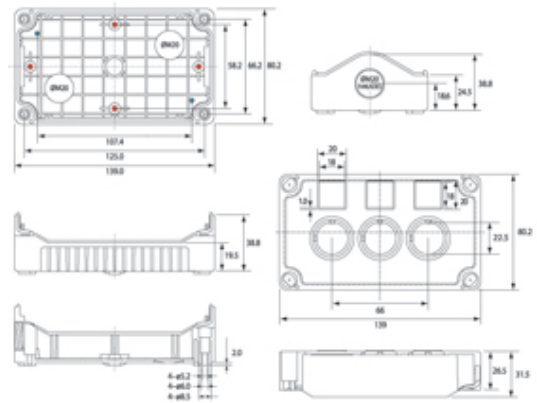


## DE03S-P-GB-0

Size 3, standard base polycarbonate material grey lid black base 0 holes



Product Image  
Not Available



### SPECIFICATION

Product Type	Standard base
Number of Holes	0
Base Style	Standard base
Base Colour	Black
Lid Colour	Grey
Enclosure Material	Polycarbonate UL94-V0
IP Rating	67
Min Temperature Rating °C	-10
Max Temperature Rating °C	65
Height (mm)	80
Width (mm)	139
Depth (mm)	53
Accessories Available	Snap-on flange & DIN Rail brackets

### DISTRIBUTORS

