

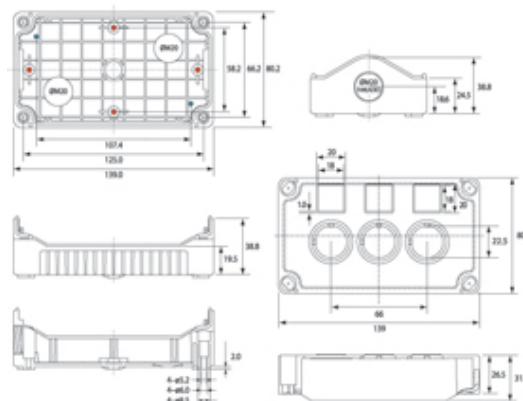
Rectangular Enclosures/Junction Boxes

Range: Enclosures

Order Code: EJB-CSP-14-08-06-BG (DE03S-P-BG-3)



Product Image
Not Available



DESCRIPTION

Size 3, standard base polycarbonate black lid grey base with 3 holes

ENCLOSURES FEATURES

- Complete with M20 cable knockouts
- 4 sizes available in Standard and deep base
- Also available in ABS-UL94
- Unique snap-on DIN rail and flange brackets available
- Suitable for mounting control switches or enclosing printed circuit boards
- Captive plastic screws in lid

Subject to technical modification without notice.

Typographical and other errors do not justify claim for damages.

SPECIFICATION

Product Type	Standard base
Number of Holes	3
Base Style	Standard base
Base Colour	Grey
Lid Colour	Black
Enclosure Material	Polycarbonate UL94-V0
IP Rating	67
Min Temperature Rating °C	-10
Max Temperature Rating °C	65
Height (mm)	80
Width (mm)	139
Depth (mm)	53
Accessories Available	Snap-on flange & DIN Rail brackets