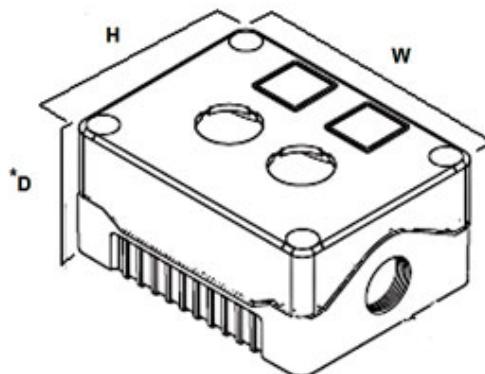


2DE.01.09AB

Key 2 position selector, grey cover.



*Enclosure only except 1DE .SP series where D includes actuator height

SPECIFICATION

Accessories Available	DIN rail and flange snap-on brackets
Base Colour	Black
Base Style	Deep Base
Depth (mm)	78
Enclosure Material	ABS-UL94-HB
Height (mm)	80
IP Rating	IP56
Lid Colour	Grey
Min Temperature Rating °C	-10
Max Temperature Rating °C	65
Number of Switches	1
Size (mm)	80x73x78
Switch 1 Legend Sticker	O I
Switch 1 Style	Key Selector switch
Switch 1 Substyle	2 position selector
Width (mm)	73