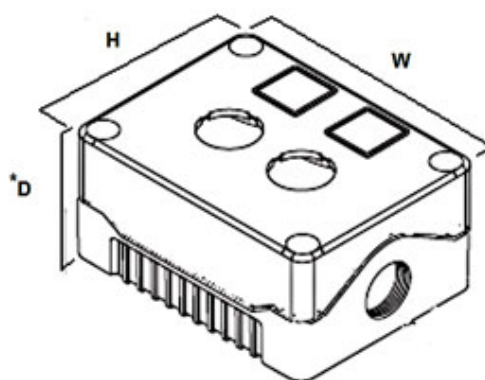


# Push Buttons, Flush Head

## Range: Control Stations

Order Code: SCS-PDE-GG-RGX (1DE.02.02AG)



\*Enclosure only except 1DE.SP series where D includes actuator height

### DESCRIPTION

Two switch, grey cover, grey base, red and green start stop

### CONTROL STATIONS FEATURES

- Customised control station service available - please ask for details.
- Insulation resistance - >100M $\Omega$  @ 500VDC
- Enclosures sealed up to IP66
- Unique snap on Din Rail and Flange brackets
- Dust & waterproof for short-term submersion
- 4 sizes available! Accepting 1-4 push button switches
- 2 contact blocks fitted as standard
- Different voltage ratings are available
- Contact material - Silver Bifurcated and serrated
- Operating Temperature -10 to +65°C
- Contact rating - AC12 Resistive / AC15 Electromagnetic - 240V (3A) / 415V (1.5A)
- Mechanical life - 1 million operations

*Features may vary by product throughout the range.*

*Subject to technical modification without notice.*

*Typographical and other errors do not justify claim for damages.*

## SPECIFICATION

<b>Accessories Available</b>	DIN rail and flange snap-on brackets
<b>Base Colour</b>	Grey
<b>Base Style</b>	Standard base
<b>Depth (mm)</b>	53
<b>Enclosure Material</b>	ABS-UL94-HB
<b>Height (mm)</b>	80
<b>IP Rating</b>	IP66
<b>Lid Colour</b>	Grey
<b>Min Temperature Rating °C</b>	-10
<b>Max Temperature Rating °C</b>	65
<b>Number of Switches</b>	2
<b>Size (mm)</b>	80x106x53
<b>Switch 1 Style</b>	Pushbutton non-illuminated
<b>Switch 1 Substyle</b>	Flush head
<b>Switch 2 legend Sticker</b>	START
<b>Switch 2 Style</b>	Pushbutton non-illuminated
<b>Switch 2 Substyle</b>	Flush head
<b>Width (mm)</b>	106