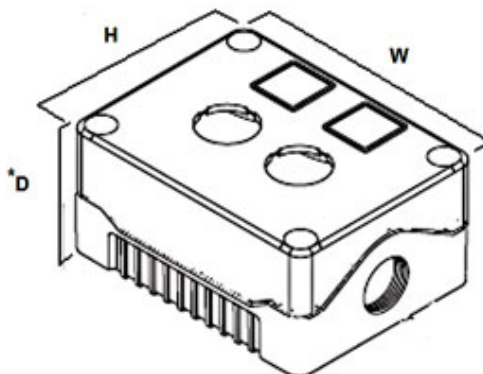


1DE.02.01AB

E-stop twist to release and green start, yellow cover, black base.



*Enclosure only except 1DE .SP series where D includes actuator height

SPECIFICATION

Accessories Available	DIN rail and flange snap-on brackets
Base Colour	Black
Base Style	Standard base
Depth (mm)	53
Enclosure Material	ABS-UL94-HB
Height (mm)	80
IP Rating	IP56
Lid Colour	Yellow
Max Temperature Rating °C	65
Minimum Temp Rating °C	-10
Number of Switches	2
Size (mm)	80x106x53
Switch 1 Style	Pushbutton non-illuminated
Switch 1 Substyle	Mushroom head
Switch 2 legend Sticker	START
Switch 2 Style	Pushbutton non-illuminated
Switch 2 Substyle	Flush head
Width (mm)	106