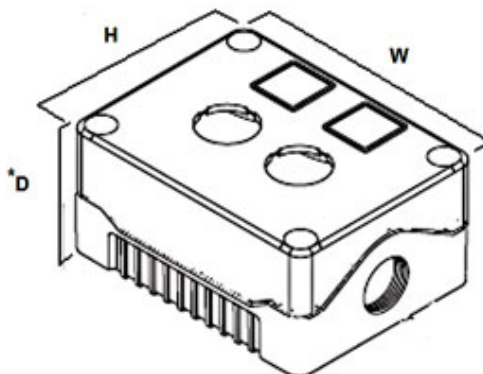


### 1DE.01.09AB

Key 2 position selector, grey cover, black base.



\*Enclosure only except 1DE .SP series where D includes actuator height

### SPECIFICATION

Accessories Available	DIN rail and flange snap-on brackets
Base Colour	Black
Base Style	Standard base
Depth (mm)	53
Enclosure Material	ABS-UL94-HB
Height (mm)	80
IP Rating	IP56
Lid Colour	Grey
Max Temperature Rating °C	65
Minimum Temp Rating °C	-10
Number of Switches	1
Size (mm)	80x73x53
Switch 1 Style	Key Selector switch
Switch 1 Substyle	2 position selector
Width (mm)	73