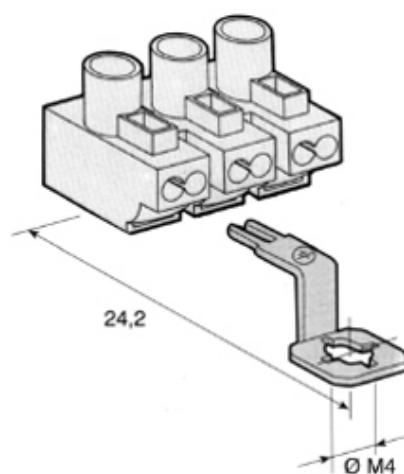




Accessories

Range: Emech Terminals/Accessories

Part Number: LTPA239



DESCRIPTION

Push-in grounding plate for pa239 terminal block

Subject to technical modification without notice.

Typographical and other errors do not justify claim for damages.

SPECIFICATION

Body Material	Zinc plated steel
Comments	Terminal block not included