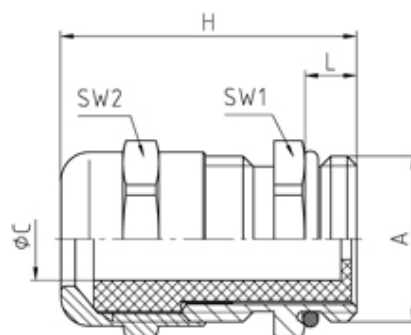




Nickel Plated Brass Metric Cable Glands

Range: Cable Glands/Grommets

Order Code: GCG-NMX-M32-NP (18M321418)



DESCRIPTION

Uni-Dicht cable gland M32X1,5 thread length 7 min/max cable dia 14-18

Subject to technical modification without notice.

Typographical and other errors do not justify claim for damages.

SPECIFICATION

Product Type	Standard
Body Material	Nickel Plated Brass
Min Temperature Rating °C	-20
Max Temperature Rating °C	135
IP Rating	68
Thread Size	M32
Clamping Range Min (mm)	14
Clamping Range Max (mm)	18
External Connecting Thread Type	Metric
Thread Length (mm)	7
Sealing Insert	TPE, colour coded
Width Across Flat 1 (mm)	35
Width Across Flat 2 (mm)	30
Height (mm)	33
Connecting Thread Size	M32x1.5
Additional Material Detail	Body - Brass CuZn39Pb3 nickel plated, O-Ring - Nitrile rubber
Standards	EN50262

INDUSTRY ACCREDITATIONS

EN