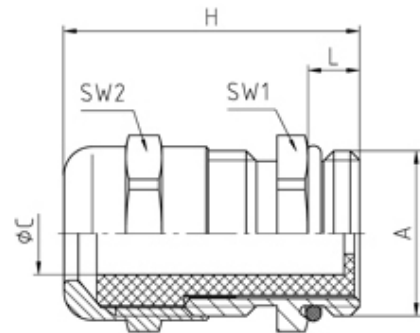


## 18M320710

Uni-Dicht cable gland M32X1,5 thread length 7 min/max cable dia 7-10.5



# EN

### SPECIFICATION

<b>Product Type</b>	Standard
<b>Body Material</b>	Nickel Plated Brass
<b>Min Temperature Rating °C</b>	-20
<b>Max Temperature Rating °C</b>	135
<b>IP Rating</b>	68
<b>Thread Size</b>	M32
<b>Clamping Range Min (mm)</b>	7
<b>Clamping Range Max (mm)</b>	10.5
<b>External Connecting Thread Type</b>	Metric
<b>Thread Length (mm)</b>	7
<b>Sealing Insert</b>	TPE, colour coded
<b>Width Across Flat 1 (mm)</b>	35
<b>Width Across Flat 2 (mm)</b>	30
<b>Height (mm)</b>	33
<b>Connecting Thread Size</b>	M32x1.5
<b>Additional Material Detail</b>	Body - Brass CuZn39Pb3 nickel plated, O-Ring - Nitrile rubber
<b>Standards</b>	EN50262