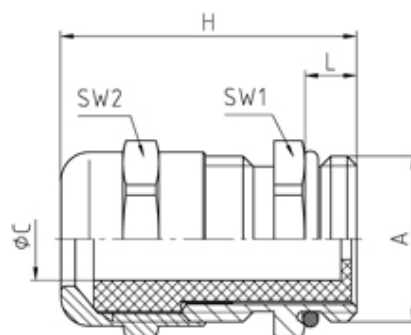




# Nickel Plated Brass Metric Cable Glands

Range: Cable Glands/Grommets

Order Code: GCG-NMW-M25-NP (18M250710)



## DESCRIPTION

Uni-Dicht cable gland M25X1,5 thread length 6.5 min/max cable dia 7-10.5

*Subject to technical modification without notice.*

*Typographical and other errors do not justify claim for damages.*

## SPECIFICATION

<b>Product Type</b>	Standard
<b>Body Material</b>	Nickel Plated Brass
<b>Min Temperature Rating °C</b>	-20
<b>Max Temperature Rating °C</b>	135
<b>IP Rating</b>	68
<b>Thread Size</b>	M25
<b>Clamping Range Min (mm)</b>	7
<b>Clamping Range Max (mm)</b>	10.5
<b>External Connecting Thread Type</b>	Metric
<b>Thread Length (mm)</b>	6.5
<b>Sealing Insert</b>	TPE, colour coded
<b>Width Across Flat 1 (mm)</b>	28
<b>Width Across Flat 2 (mm)</b>	24
<b>Height (mm)</b>	28.5
<b>Connecting Thread Size</b>	M25x1.5
<b>Additional Material Detail</b>	Body - Brass CuZn39Pb3 nickel plated, O-Ring - Nitrile rubber
<b>Standards</b>	EN50262

## INDUSTRY ACCREDITATIONS

**EN**