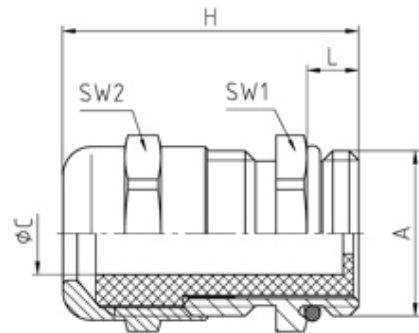


18M206595

Uni-Dicht cable gland M20X1,5 thread length 6 min/max cable dia 6.5-9.5



EN

SPECIFICATION

Product Type	Standard
Body Material	Nickel Plated Brass
Min Temperature °C	-20
Max Temperature °C	135
IP Rating	68
Thread Size	M20
Clamping Range Min (mm)	6.5
Clamping Range Max (mm)	9.5
External Connecting Thread Type	Metric
Thread Length (mm)	6
Sealing Insert	TPE, colour coded
Width Across Flat 1 (mm)	22
Width Across Flat 2 (mm)	22
Height (mm)	26.5
Connecting Thread Size	M20x1.5
Additional Material Detail	Body - Brass CuZn39Pb3 nickel plated, O-Ring - Nitrile rubber
Standards	EN50262