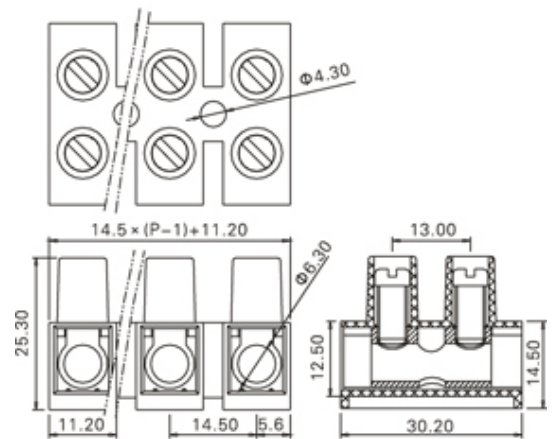




# Pillar Terminal Blocks

Range: Emech Terminals/Accessories

Order Code: TLB-500-12P



## DESCRIPTION

12 Pole PA66 Pillar Terminal Block 76A 750V

*Subject to technical modification without notice.  
Typographical and other errors do not justify claim for damages.*

## SPECIFICATION

<b>Number of Poles</b>	12
<b>Body Material</b>	PA66
<b>Colour</b>	Natural
<b>UL94 Rating</b>	UL94V0
<b>Base Type</b>	Standard
<b>Max Conductor Size (Sq mm)</b>	16
<b>Min Conductor Size AWG</b>	18
<b>Max Conductor Size AWG</b>	8
<b>Max Current (A)</b>	76
<b>Max Voltage (V)</b>	750
<b>Pitch (mm)</b>	14.5
<b>Height (mm)</b>	25.3
<b>Width (mm)</b>	30.2
<b>Length (mm)</b>	170.7

## INDUSTRY ACCREDITATIONS

