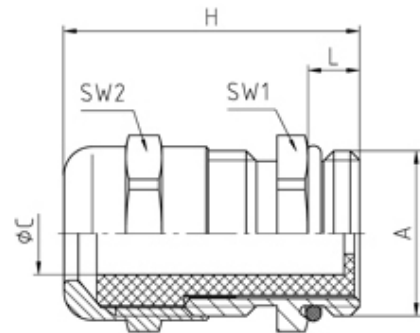


18M200465

Uni-Dicht cable gland M20X1,5 thread length 6 min/max cable dia 4-6.5



EN

SPECIFICATION

| | |
|--|---|
| Product Type | Standard |
| Body Material | Nickel Plated Brass |
| Min Temperature Rating °C | -20 |
| Max Temperature Rating °C | 135 |
| IP Rating | 68 |
| Thread Size | M20 |
| Clamping Range Min (mm) | 4 |
| Clamping Range Max (mm) | 6.5 |
| External Connecting Thread Type | Metric |
| Thread Length (mm) | 6 |
| Sealing Insert | TPE, colour coded |
| Width Across Flat 1 (mm) | 22 |
| Width Across Flat 2 (mm) | 22 |
| Height (mm) | 26.5 |
| Connecting Thread Size | M20x1.5 |
| Additional Material Detail | Body - Brass CuZn39Pb3 nickel plated, O-Ring - Nitrile rubber |
| Standards | EN50262 |