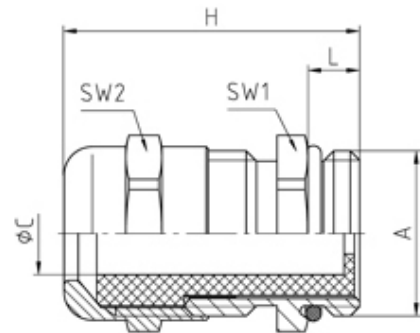


18M160508

Uni-Dicht cable gland M16X1,5 thread length 6 min/max cable dia 5-8



EN

SPECIFICATION

Product Type	Standard
Body Material	Nickel Plated Brass
Min Temperature Rating °C	-20
Max Temperature Rating °C	135
IP Rating	68
Thread Size	M16
Clamping Range Min (mm)	5
Clamping Range Max (mm)	8
External Connecting Thread Type	Metric
Thread Length (mm)	6
Sealing Insert	TPE, colour coded
Width Across Flat 1 (mm)	18
Width Across Flat 2 (mm)	17
Height (mm)	26
Connecting Thread Size	M16x1.5
Additional Material Detail	Body - Brass CuZn39Pb3 nickel plated, O-Ring - Nitrile rubber
Standards	EN50262