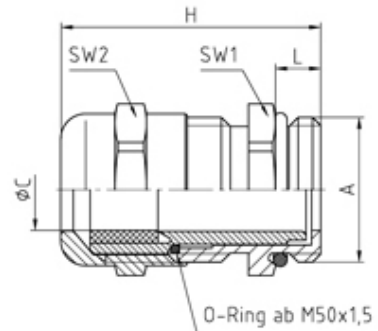


## 50.620 M/EMV

Perfect cable gland EMV M20X1,5 thread length 6, min/max cable dia 9-13



### SPECIFICATION

<b>Product Type</b>	EMV/EMC
<b>Sealing Ring Material</b>	Polychloroprene-Nitrile rubber CR/NBR
<b>Body Material</b>	Nickel Plated Brass
<b>Min Temperature °C</b>	-20
<b>Max Temperature °C</b>	100
<b>IP Rating</b>	68
<b>Thread Size</b>	M20
<b>Clamping Range Min (mm)</b>	9
<b>Clamping Range Max (mm)</b>	13
<b>Lamellar Insert Material</b>	Polyamide PA6 V-2
<b>External Connecting Thread Type</b>	Metric
<b>Thread Length (mm)</b>	6
<b>Comments</b>	details about tests - see annex
<b>Width Across Flat 1 (mm)</b>	22
<b>Width Across Flat 2 (mm)</b>	22
<b>Height (mm)</b>	33.5
<b>Connecting Thread Size</b>	M20x1.5
<b>Additional Material Detail</b>	Body - Brass CuZn39Pb3 nickel plated, O-Ring - Nitrile rubber
<b>Standards</b>	EN50262/UL514B